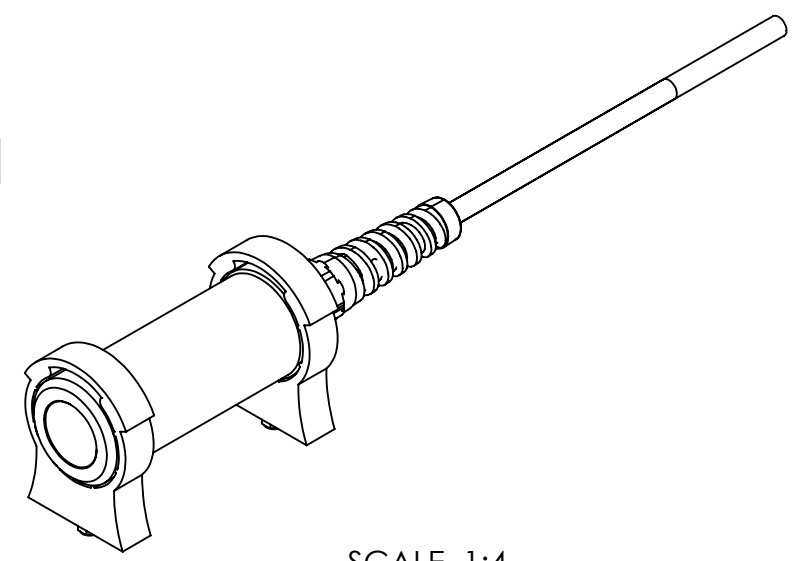
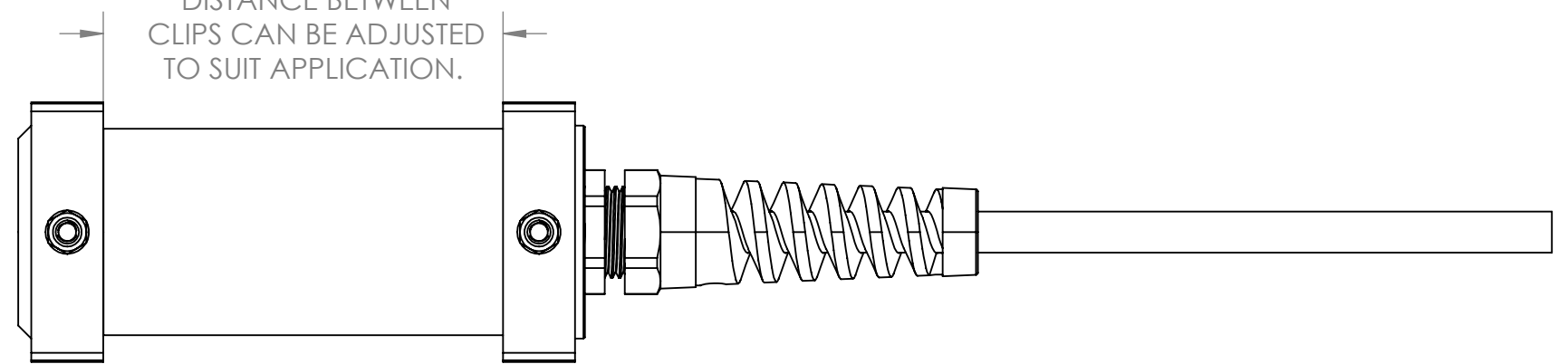


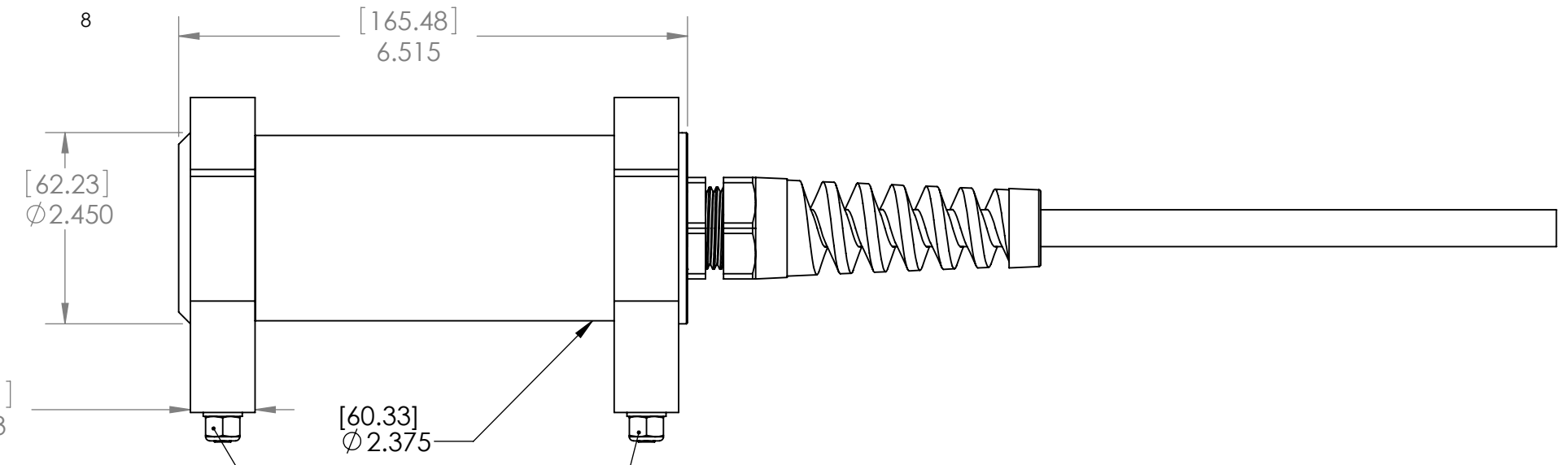
8 7 6 5 4 3 2 1

PROPRIETARY AND CONFIDENTIAL
 THE INFORMATION CONTAINED IN THIS DRAWING IS THE SOLE PROPERTY OF SUBAQUA IMAGING SYSTEMS INC. ANY REPRODUCTION IN PART OR AS A WHOLE WITHOUT THE WRITTEN PERMISSION OF SUBAQUAIMAGING SYSTEMS IS PROHIBITED.

DISTANCE BETWEEN CLIPS CAN BE ADJUSTED TO SUIT APPLICATION.



SCALE 1:4



2X #10 BOLTS. LENGTH CAN BE ADJUSTED TO SUIT APPLICATION.

PERMANENTLY ATTACHED CABLE

UNLESS OTHERWISE SPECIFIED:
 *** ALL DIMENSIONS ARE **POST ANODIZE OR PLATING** ***
 DIMENSIONS ARE IN INCHES [MM]
 TOLERANCES:
 LINEAR: 0.XX ±.020
 DIAMETER: 0.XX ±.01
 LINEAR: 0.XXX ±.005
 DIAMETER: 0.XXX ±.002
 HOLES: ±.003
 FRACTIONAL ±1/64
 ANGULAR: ±.5°
 SURFACE FINISH ALL SURFACE FINISH SEALS REMOVE ALL SHARP EDGES AND BURRS

CAGE CODE: 6JFR2

FILE NAME
 Z:\705_Custom-Housings\008 HD Relay\705-008-003_Camera_ASSY-05

MATERIAL	SEE BOM		
FINISH	ORIG ENG	R. GRAY	101610
	ORIG DWG	R. GRAY	110410
	LAST UPDATE	Ronan	7/7/2014
COLOR	REL TO PROD	R. GRAY	122110



SubAqua Imaging Systems, Inc
 1134 Opal Street, San Diego, CA
 92109, USA
 (858) 414 0383
 www.subaquaimaging.com

TITLE:		SAIS IP CAM PERM CABLE		
SIZE	DWG. NO.	REV		
B	905-008-003-DCD	DCD		
SCALE: 1:2		WEIGHT:	SHEET 1 OF 5	

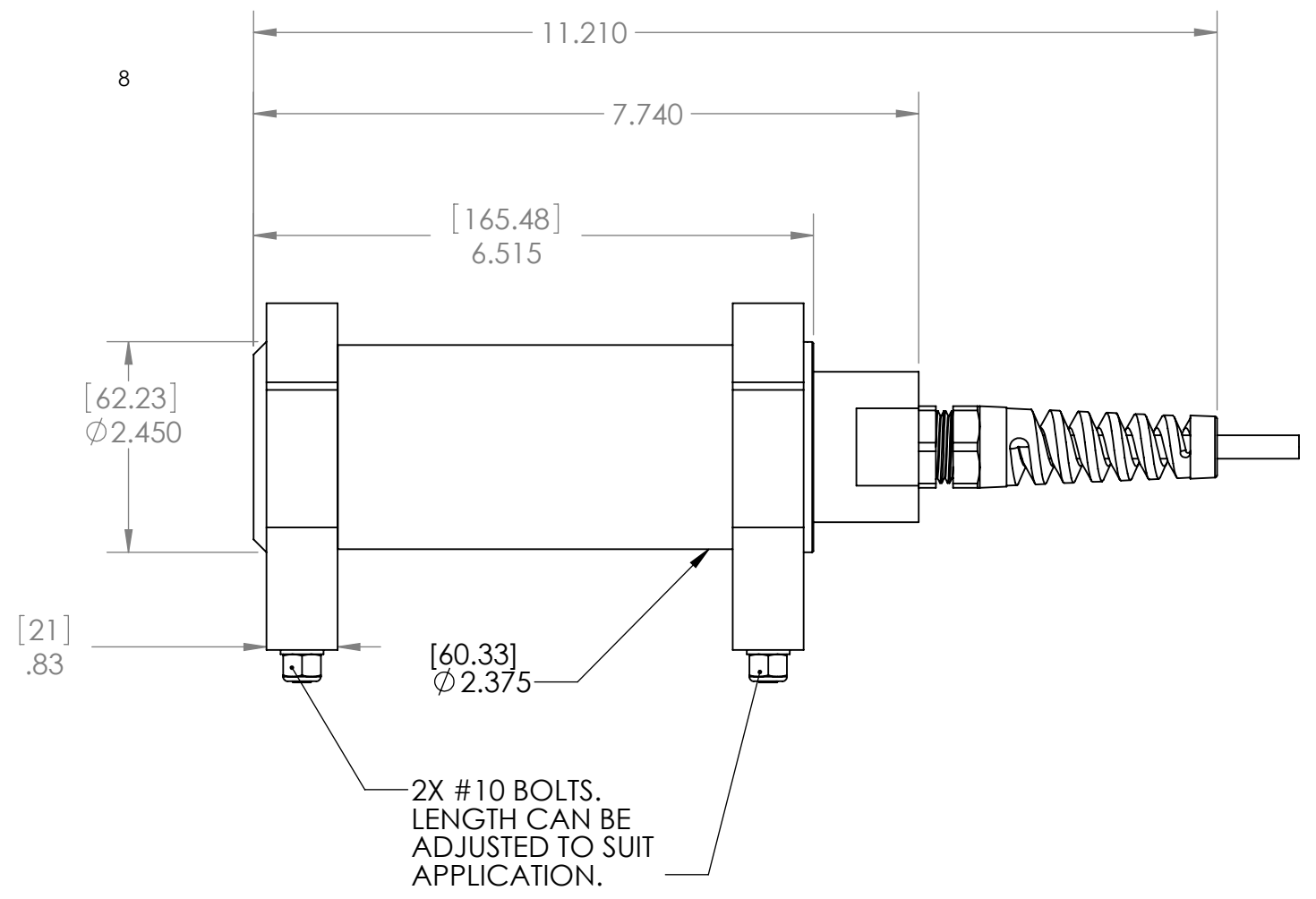
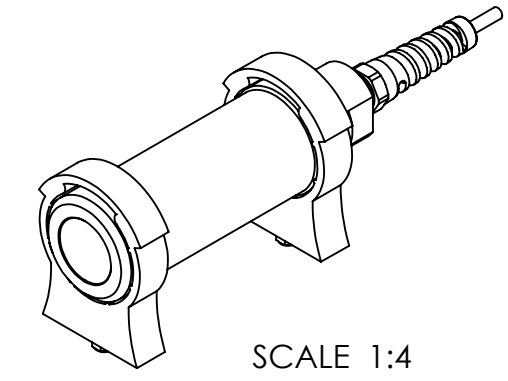
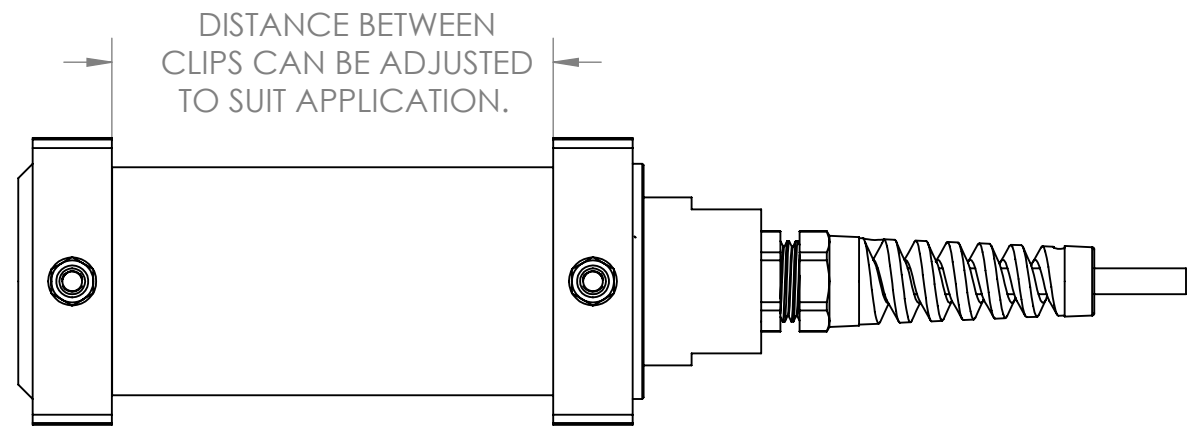
DO NOT SCALE DRAWING

7 6 5 4 3 2 1

8 7 6 5 4 3 2 1

D
C
B
A

D
C
B
A



PERMANENTLY ATTACHED CABLE WITH BULKHEAD

SUBAQUA
IMAGING SYSTEMS INC

SubAqua Imaging Systems, Inc
1134 Opal Street, San Diego, CA
92109, USA
(858) 414 0383
www.subaquaimaging.com

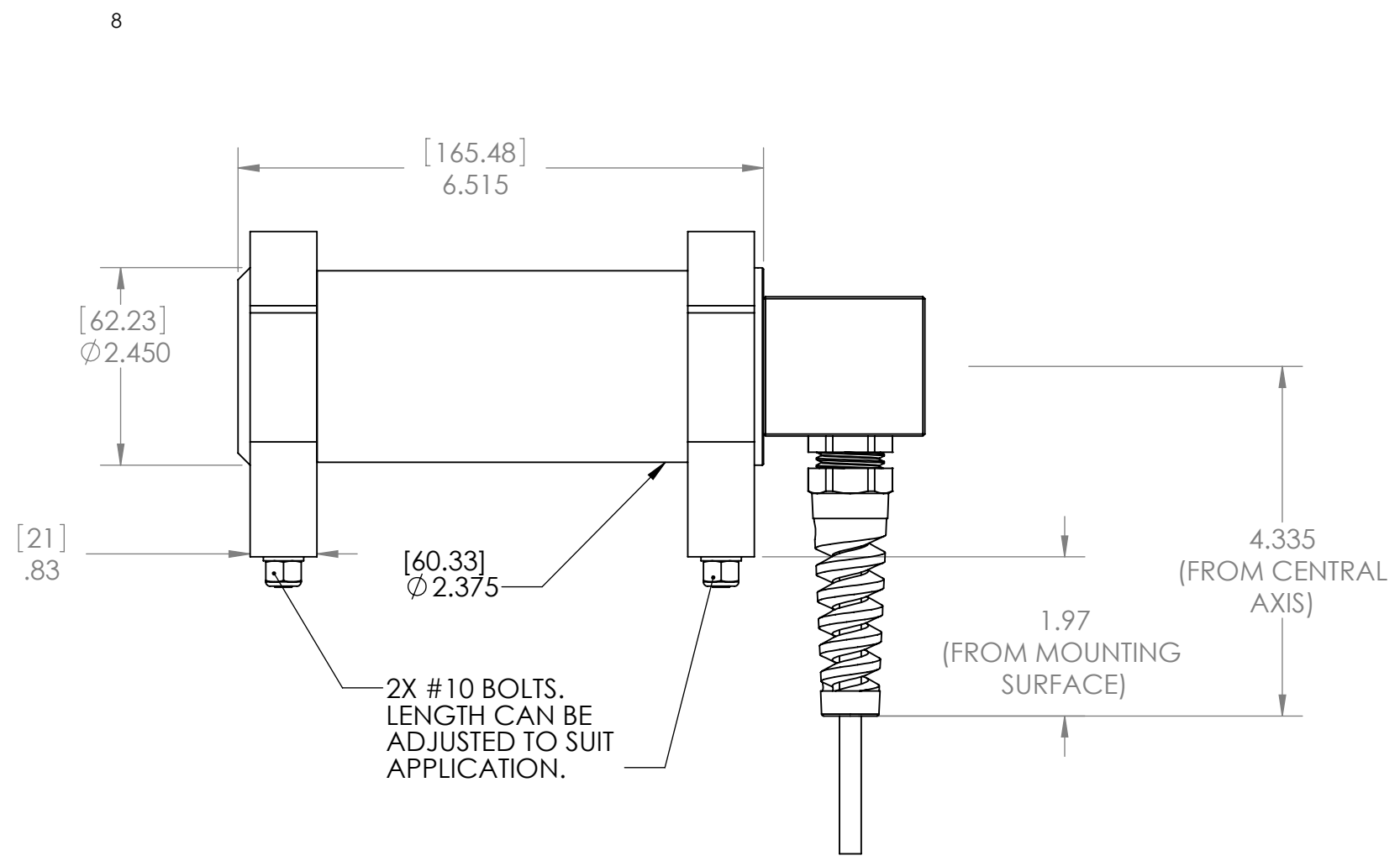
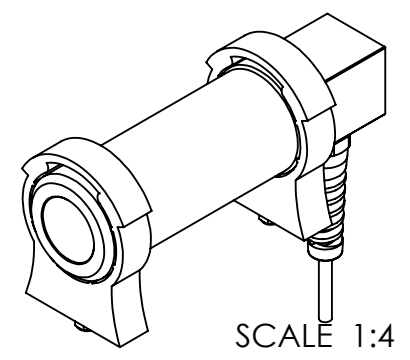
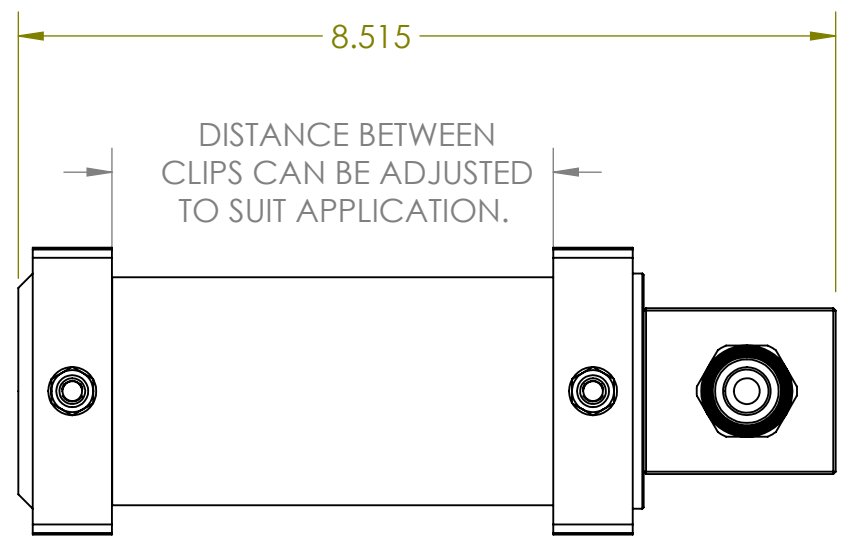
CAGE CODE: 6JFR2

LAST UPDATE	NAME Ronan	DATE 7/7/2014	SIZE B	DWG. NO. 905-008-003-DCD	REV DCD
SCALE: 1:2			WEIGHT:	SHEET 2 OF 5	

7 6 5 4 3 2 1

8 7 6 5 4 3 2 1

D
C
B
A



PERMANENTLY ATTACHED CABLE WITH RIGHT-ANGLE (R/A) BULKHEAD



SubAqua Imaging Systems, Inc
1134 Opal Street, San Diego, CA
92109, USA
(858) 414 0383
www.subaquaimaging.com

CAGE CODE: 6JFR2

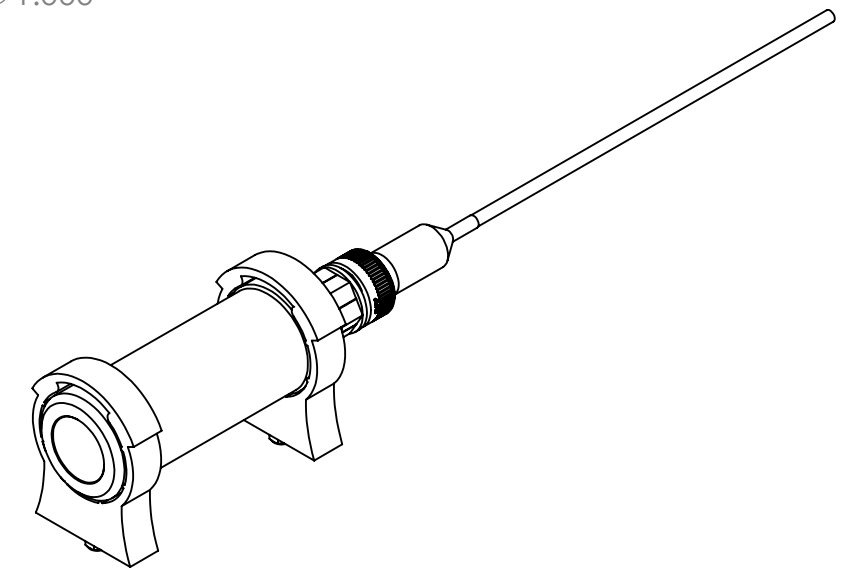
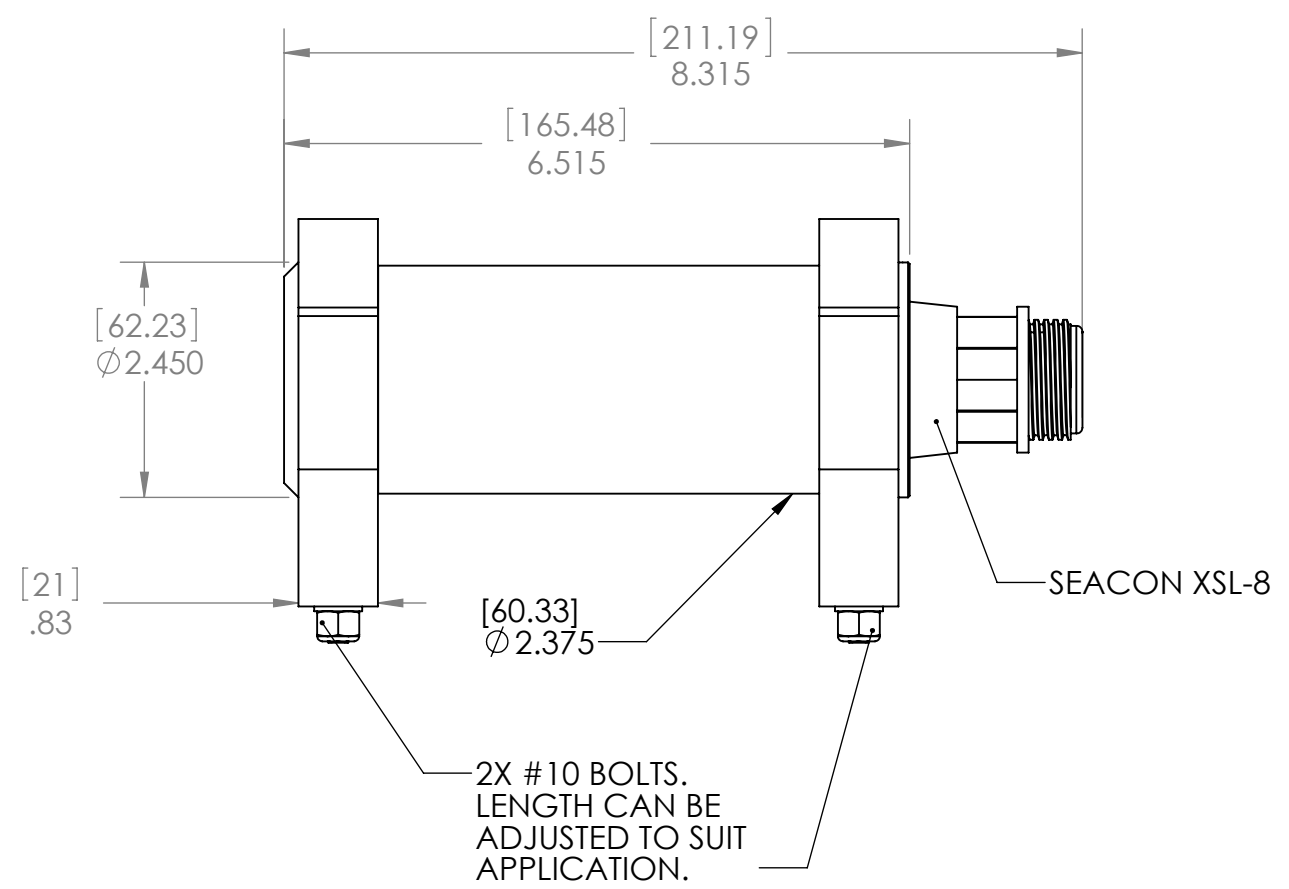
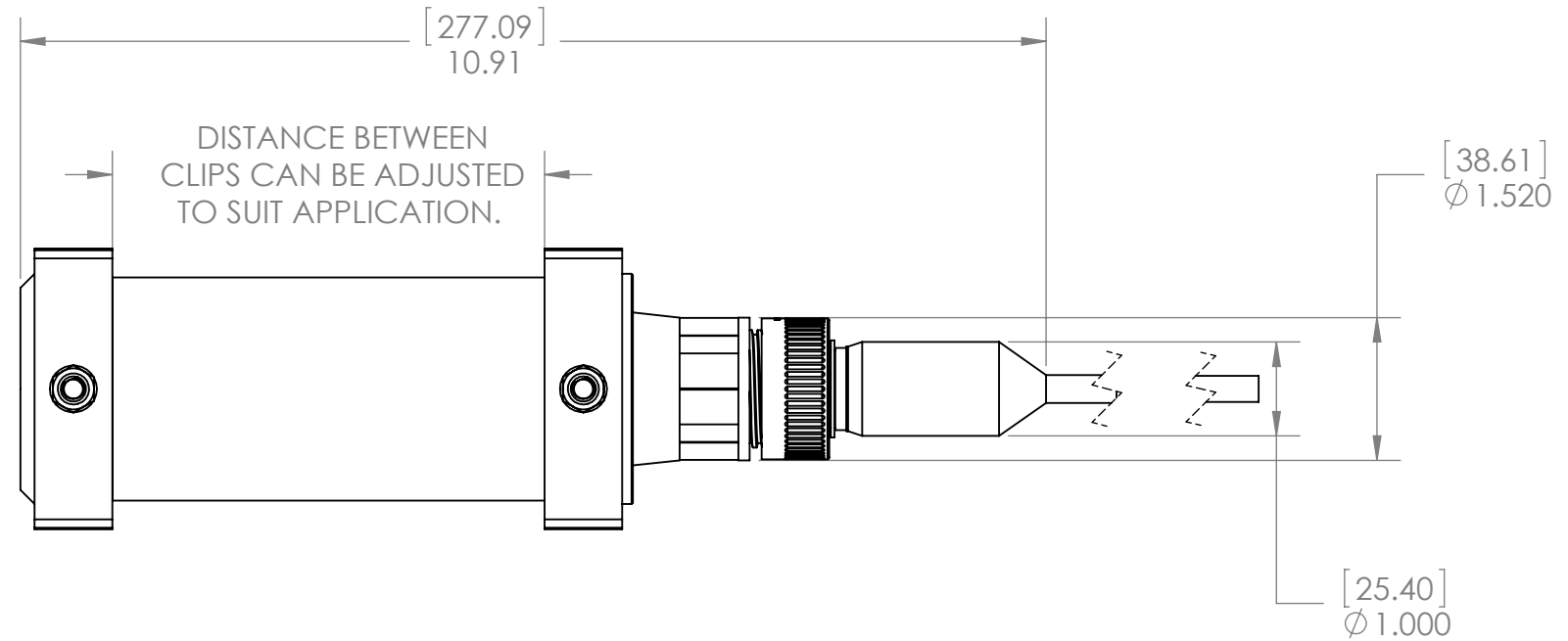
LAST UPDATE	NAME	DATE	SIZE	DWG. NO.	REV
	Ronan	7/7/2014	B	905-008-003-DCD	DCD
			SCALE: 1:2	WEIGHT:	SHEET 3 OF 5

7 6 5 4 3 2 1

8 7 6 5 4 3 2 1

D
C
B
A

D
C
B
A



SCALE 1:4

DRY MATE U/W CONNECTOR PAIR

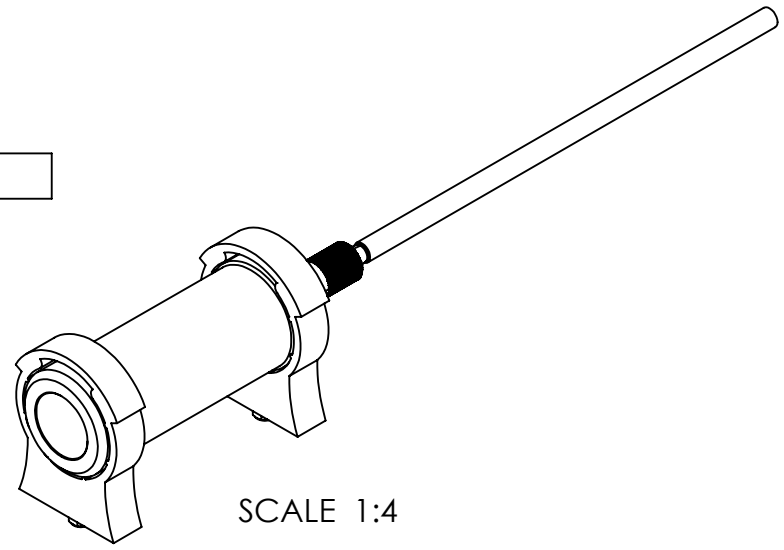
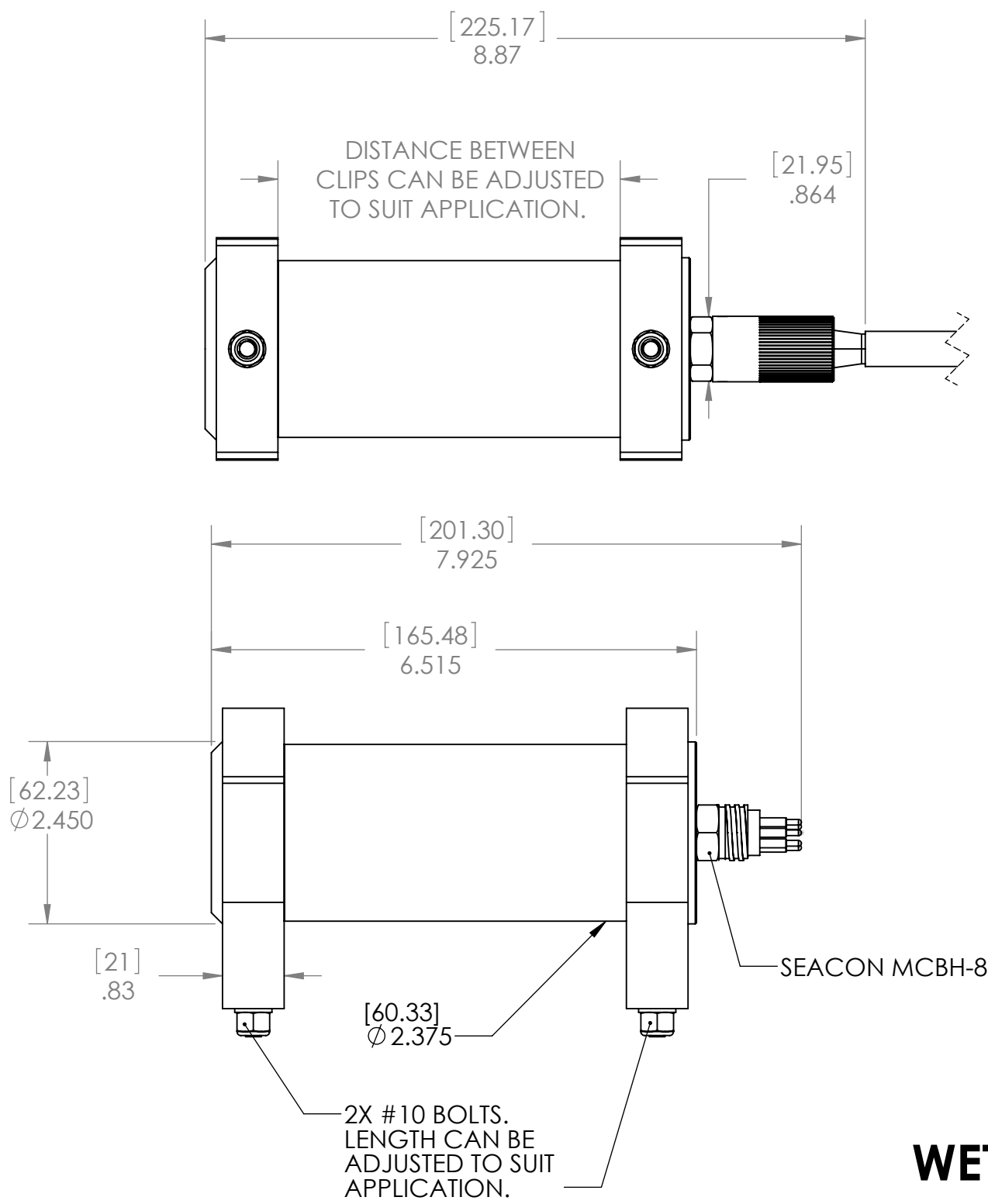
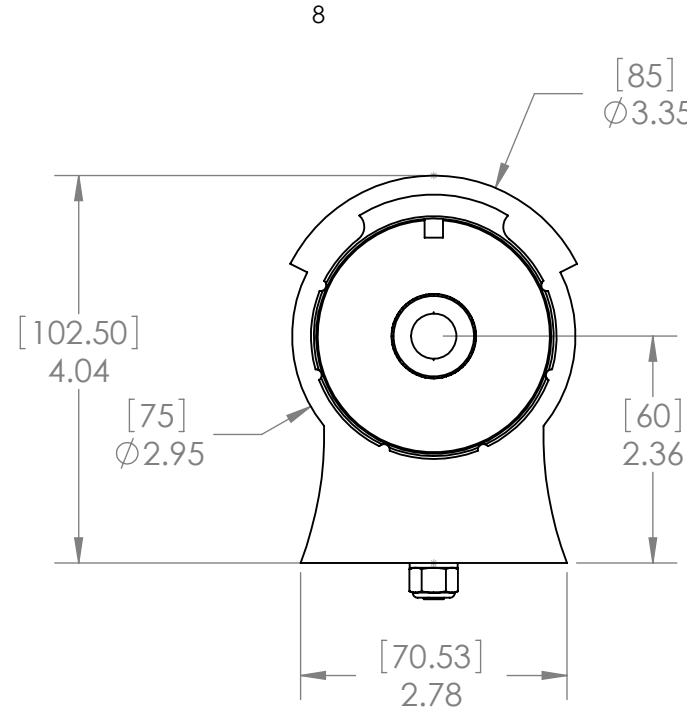
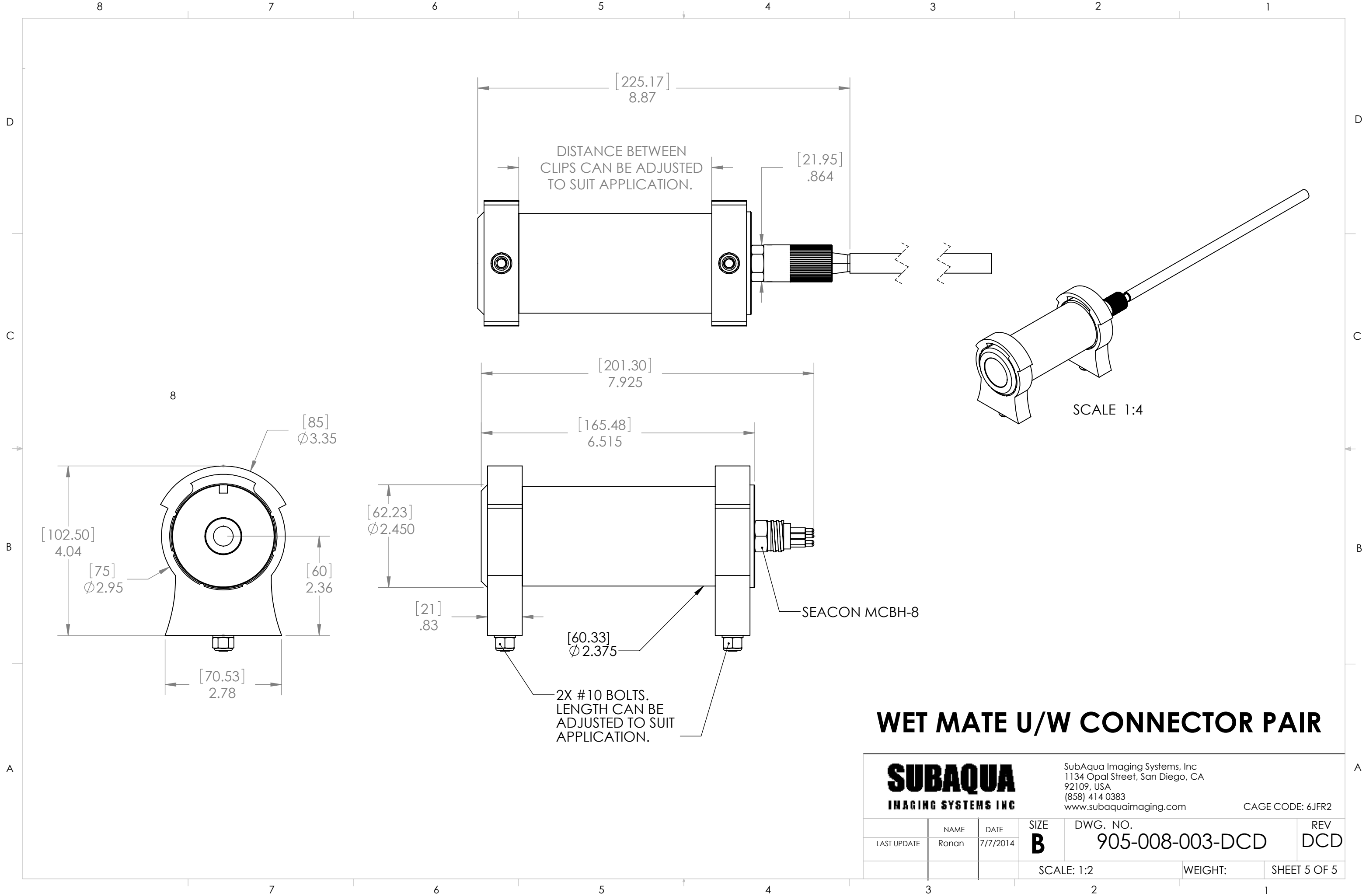


SubAqua Imaging Systems, Inc
1134 Opal Street, San Diego, CA
92109, USA
(858) 414 0383
www.subaquaimaging.com

CAGE CODE: 6JFR2

LAST UPDATE	NAME Ronan	DATE 7/7/2014	SIZE B	DWG. NO. 905-008-003-DCD	REV DCD
SCALE: 1:2			WEIGHT:	SHEET 4 OF 5	

7 6 5 4 3 2 1



WET MATE U/W CONNECTOR PAIR

SUBAQUA		SubAqua Imaging Systems, Inc 1134 Opal Street, San Diego, CA 92109, USA (858) 414 0383 www.subaquaimaging.com			CAGE CODE: 6JFR2
IMAGING SYSTEMS INC	NAME Ronan	DATE 7/7/2014	SIZE B	DWG. NO. 905-008-003-DCD	REV DCD
SCALE: 1:2			WEIGHT:	SHEET 5 OF 5	