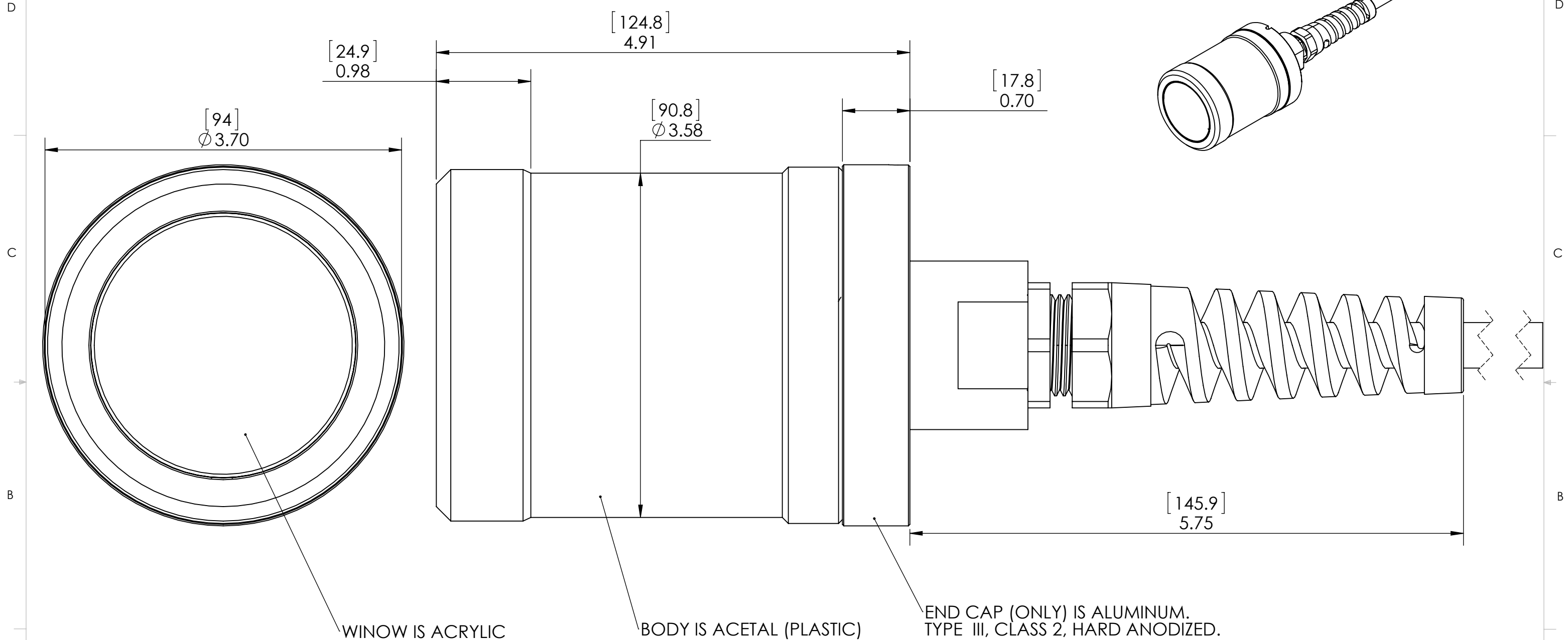


**PROPRIETARY AND CONFIDENTIAL**  
 THE INFORMATION CONTAINED IN THIS DRAWING IS THE SOLE PROPERTY OF SUBAQUA IMAGING SYSTEMS INC. ANY REPRODUCTION IN PART OR AS A WHOLE WITHOUT THE WRITTEN PERMISSION OF SUBAQUAIMAGING SYSTEMS IS PROHIBITED.



WINDOW IS ACRYLIC

BODY IS ACETAL (PLASTIC)

END CAP (ONLY) IS ALUMINUM.  
 TYPE III, CLASS 2, HARD ANODIZED.

**UNLESS OTHERWISE SPECIFIED:**

\*\*\* ALL DIMENSIONS ARE **POST ANODIZE OR PLATING** \*\*\*  
 DIMENSIONS ARE IN INCHES [MM]  
 TOLERANCES:  
 LINEAR: 0.XX ±.020  
 DIAMETER: 0.XX ±.01  
 LINEAR: 0.XXX ±.005  
 DIAMETER: 0.XXX ±.002  
 HOLES: ±.003  
 FRACTIONAL ±1/64  
 ANGULAR: ±.5°  
 SURFACE FINISH ALL  $\sqrt{64}$   
 SURFACE FINISH SEALS  $\sqrt{32}$   
 REMOVE ALL SHARP EDGES AND BURRS

CAGE CODE: 6JFR2

USED ON	SIZE/LENGTH CONDITION	MATERIAL
POST PROCESS	PLATING	SEE BOM
NEXT ASSEMBLY	NOTES	ANODIZE SEE NOTES
FILE NAME	DO NOT SCALE DRAWING	
Z:\740_Cameras\110 Compact IP Camera\740-110-002_Camera_Final_ASSY	N/A	

<b>SUBAQUA</b> IMAGING SYSTEMS INC		SubAqua Imaging Systems, Inc 1134 Opal Street, San Diego, CA 92109, USA (858) 414 0383 www.subaquaimaging.com	
ORIG ENG	NAME	DATE	TITLE: <b>SAIS COMPACT CAM</b>
ORIG DWG	R.GRAY		
LAST UPDATE	Ronan	1/26/2016	SIZE <b>B</b> DWG. NO. <b>740-110-002</b> REV <b>DCD</b>
REL TO PROD			SCALE: 1:1 WEIGHT: SHEET 1 OF 5
CHECKED BY			

**STRAIGHT BULKHEAD**

**PROPRIETARY AND CONFIDENTIAL**  
 THE INFORMATION CONTAINED IN THIS DRAWING IS THE SOLE PROPERTY  
 OF SUBAQUA IMAGING SYSTEMS INC. ANY REPRODUCTION IN PART OR  
 AS A WHOLE WITHOUT THE WRITTEN PERMISSION OF SUBAQUAIMAGING  
 SYSTEMS IS PROHIBITED.

7.260

6.888

**RIGHT ANGLE BULKHEAD**

**SUBAQUA**  
 IMAGING SYSTEMS INC

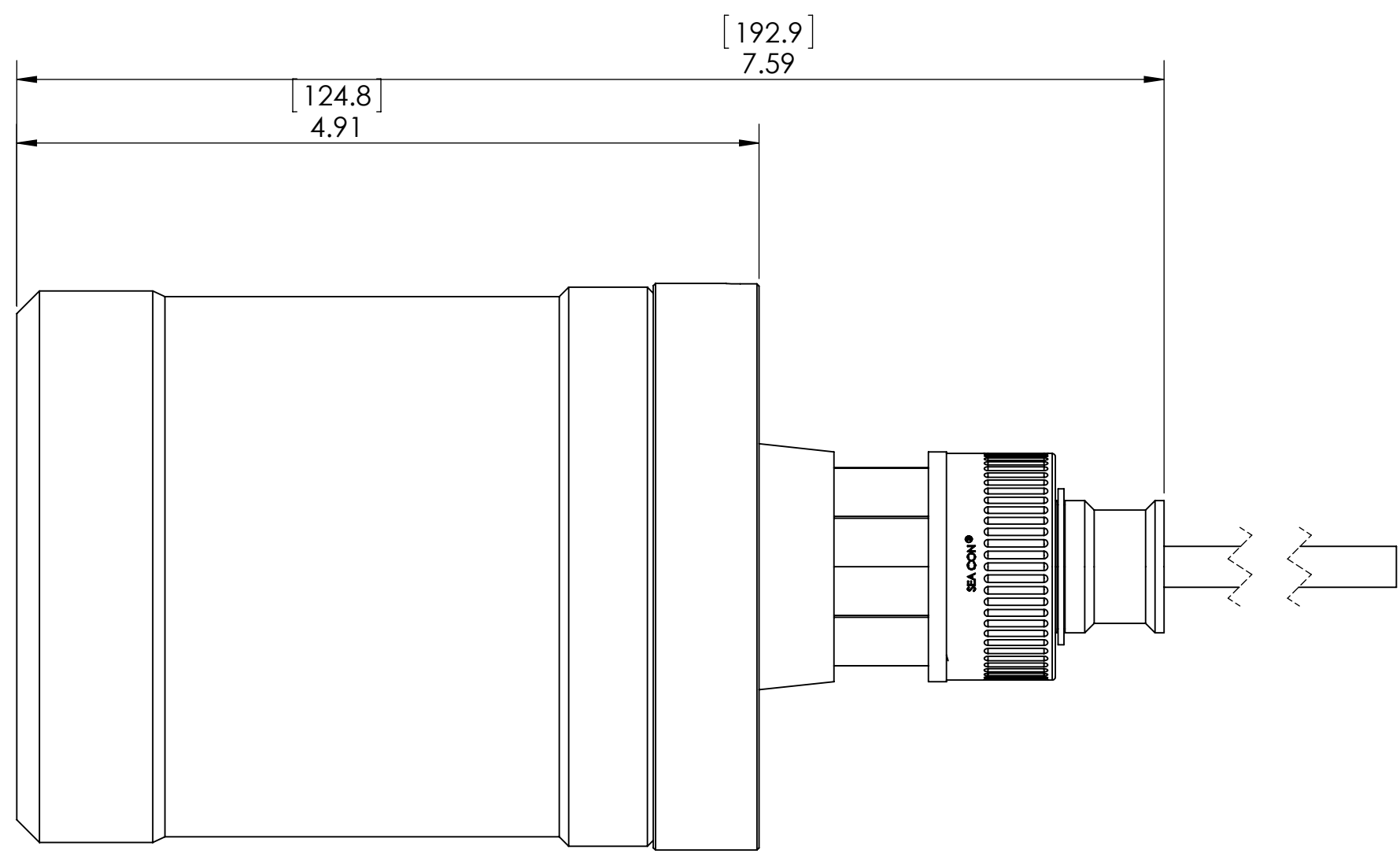
SubAqua Imaging Systems, Inc  
 1134 Opal Street, San Diego, CA  
 92109, USA  
 (858) 414 0383  
 www.subaquaimaging.com

ORIG DWG	R.GRAY	SIZE <b>B</b>	DWG. NO. <b>740-110-002</b>	REV DCD
CHECKED BY		SCALE: 1:1	CAGE CODE: 6JFR2	SHEET 2 OF 5

8 7 6 5 4 3 2 1

**PROPRIETARY AND CONFIDENTIAL**  
THE INFORMATION CONTAINED IN THIS DRAWING IS THE SOLE PROPERTY OF SUBAQUA IMAGING SYSTEMS INC. ANY REPRODUCTION IN PART OR AS A WHOLE WITHOUT THE WRITTEN PERMISSION OF SUBAQUAIMAGING SYSTEMS IS PROHIBITED.

D  
C  
B



D  
C  
B

### DRY-PLUG CONNECTOR

**SUBAQUA**  
IMAGING SYSTEMS INC

SubAqua Imaging Systems, Inc  
1134 Opal Street, San Diego, CA  
92109, USA  
(858) 414 0383  
www.subaquaimaging.com

ORIG DWG	R.GRAY	SIZE <b>B</b>	DWG. NO. <b>740-110-002</b>	REV DCD
CHECKED BY		SCALE: 1:1	CAGE CODE: 6JFR2	SHEET 3 OF 5

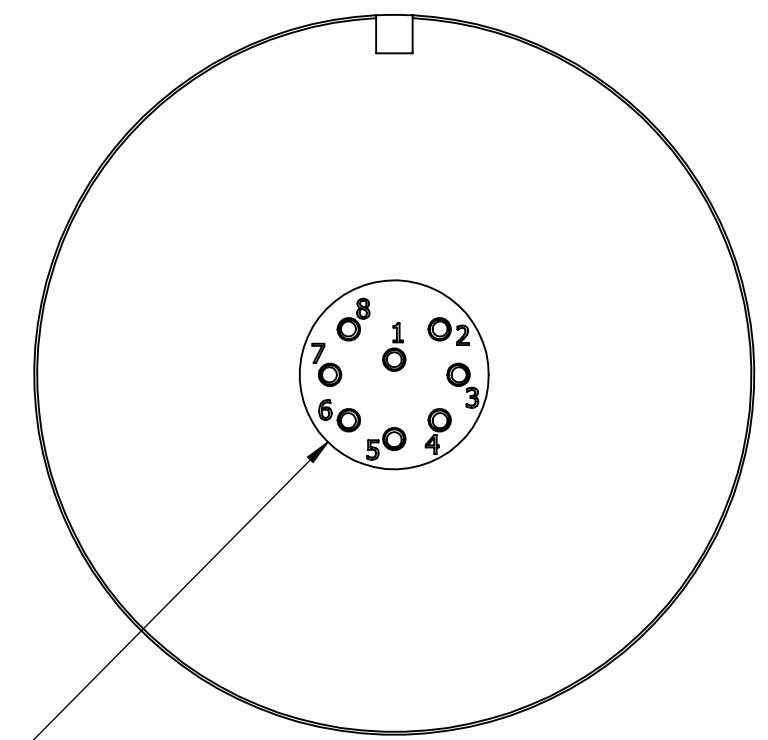
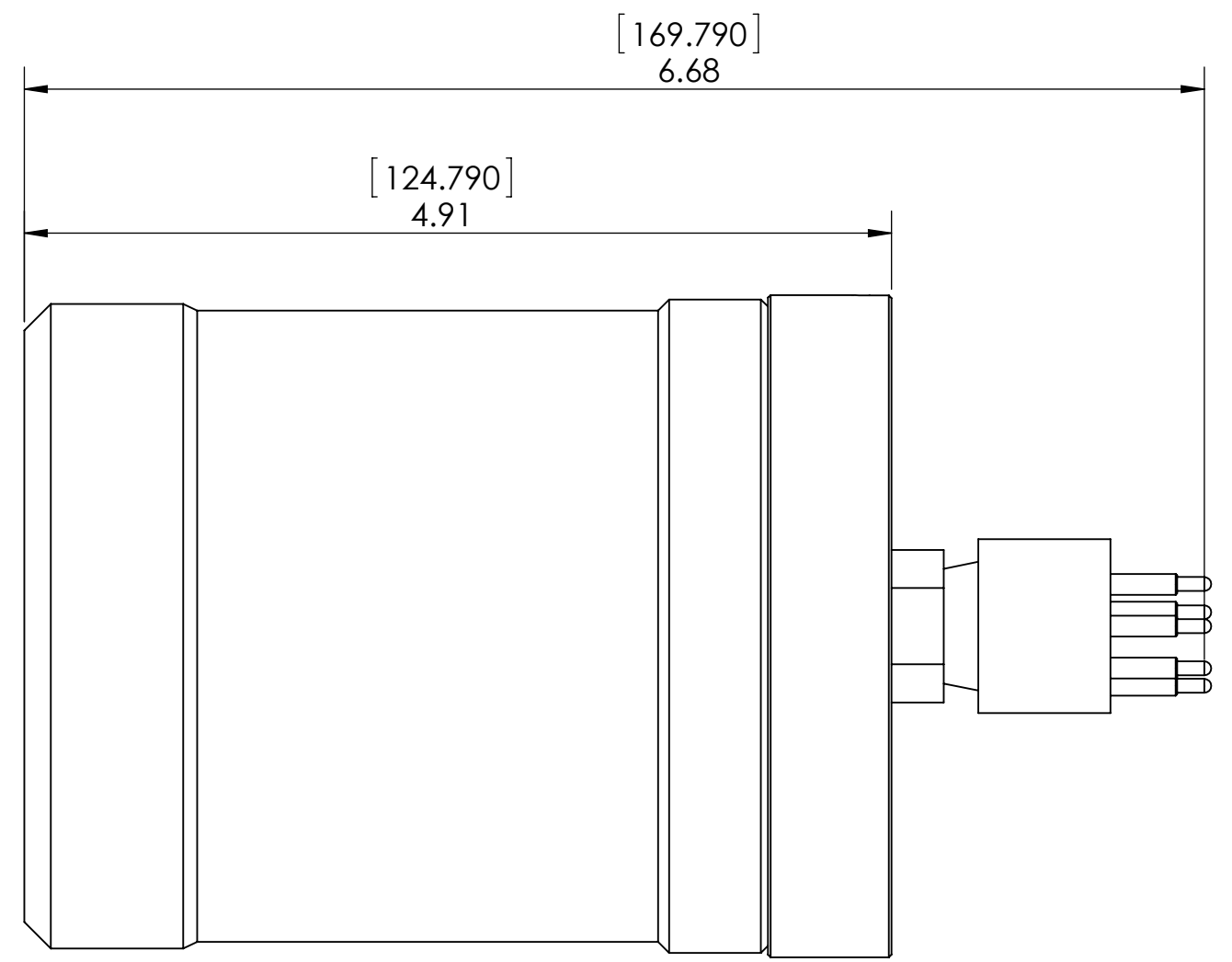
8 7 6 5 4 3 2 1

A

8 7 6 5 4 3 2 1

**PROPRIETARY AND CONFIDENTIAL**  
THE INFORMATION CONTAINED IN THIS DRAWING IS THE SOLE PROPERTY OF SUBAQUA IMAGING SYSTEMS INC. ANY REPRODUCTION IN PART OR AS A WHOLE WITHOUT THE WRITTEN PERMISSION OF SUBAQUAIMAGING SYSTEMS IS PROHIBITED.

D  
C  
B



$[25]$   
 $\phi 0.98$

### WET-PLUGGABLE CONNECTOR

**SUBAQUA**  
IMAGING SYSTEMS INC

SubAqua Imaging Systems, Inc  
1134 Opal Street, San Diego, CA  
92109, USA  
(858) 414 0383  
www.subaquaimaging.com

ORIG DWG	R.GRAY	SIZE	DWG. NO.	REV
		<b>B</b>	<b>740-110-002</b>	DCD
CHECKED BY		SCALE: 1:1	CAGE CODE: 6JFR2	SHEET 4 OF 5

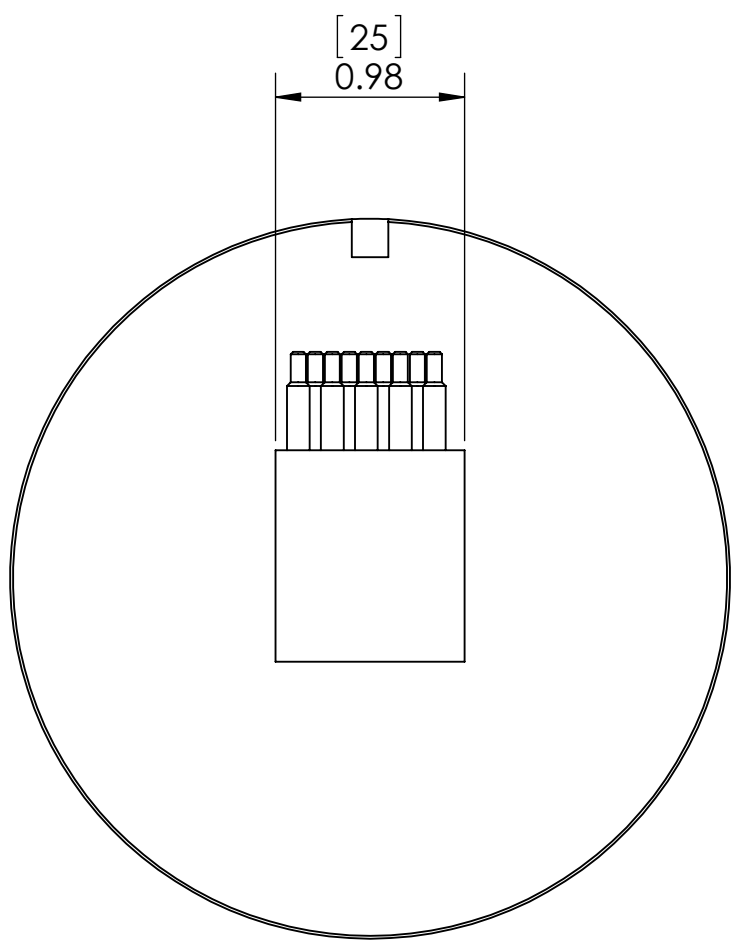
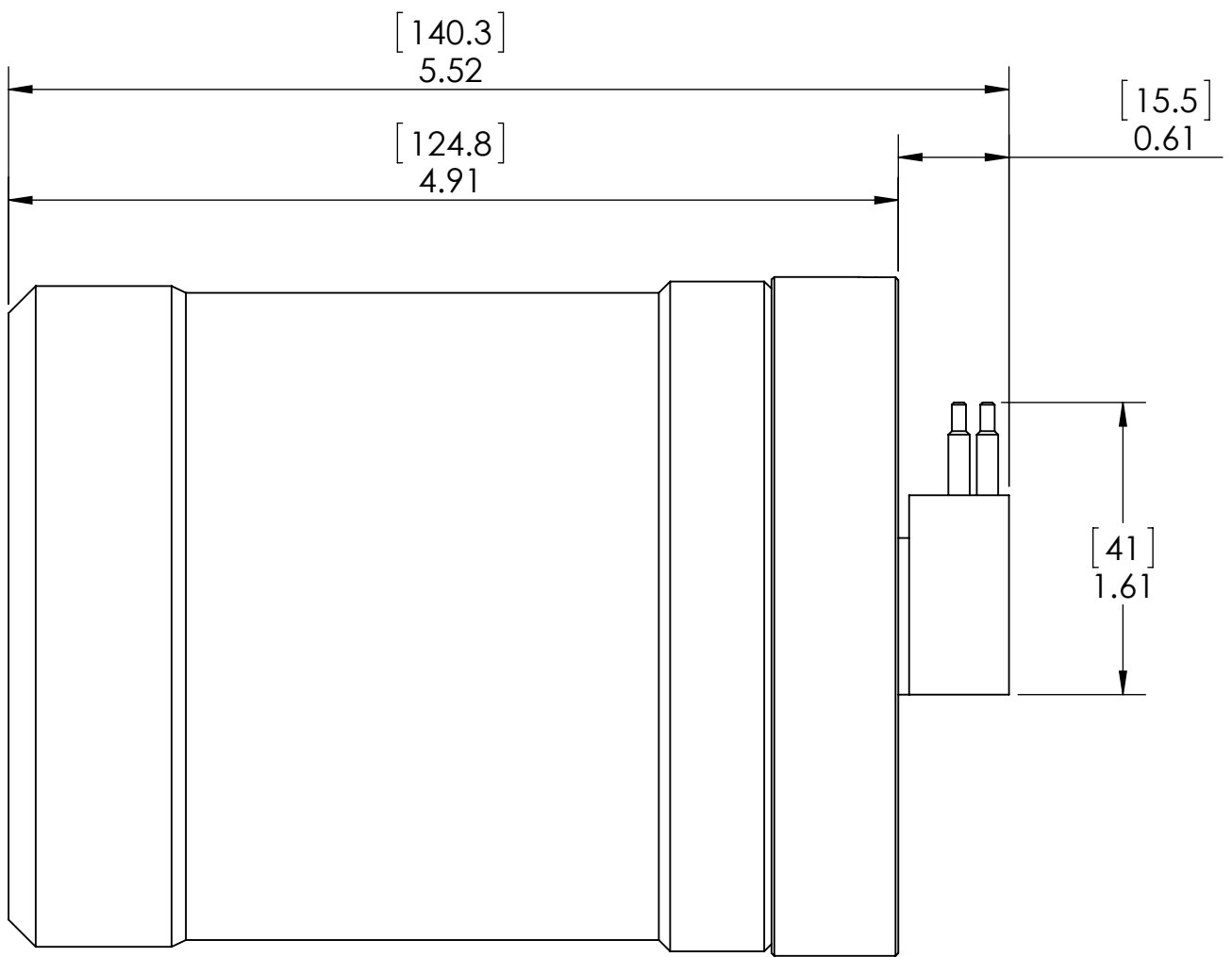
8 7 6 5 4 3 2 1

D  
C  
B  
A

8 7 6 5 4 3 2 1

**PROPRIETARY AND CONFIDENTIAL**  
THE INFORMATION CONTAINED IN THIS DRAWING IS THE SOLE PROPERTY OF SUBAQUA IMAGING SYSTEMS INC. ANY REPRODUCTION IN PART OR AS A WHOLE WITHOUT THE WRITTEN PERMISSION OF SUBAQUAIMAGING SYSTEMS IS PROHIBITED.

D  
C  
B



D  
C  
B

### LOW PROFILE WET-PLUG CONNECTOR

**SUBAQUA**  
IMAGING SYSTEMS INC

SubAqua Imaging Systems, Inc  
1134 Opal Street, San Diego, CA  
92109, USA  
(858) 414 0383  
www.subaquaimaging.com

A

ORIG DWG	R.GRAY	SIZE	DWG. NO.	REV
		<b>B</b>	<b>740-110-002</b>	DCD
CHECKED BY		SCALE: 1:1	CAGE CODE: 6JFR2	SHEET 5 OF 5

8 7 6 5 4 3 2 1