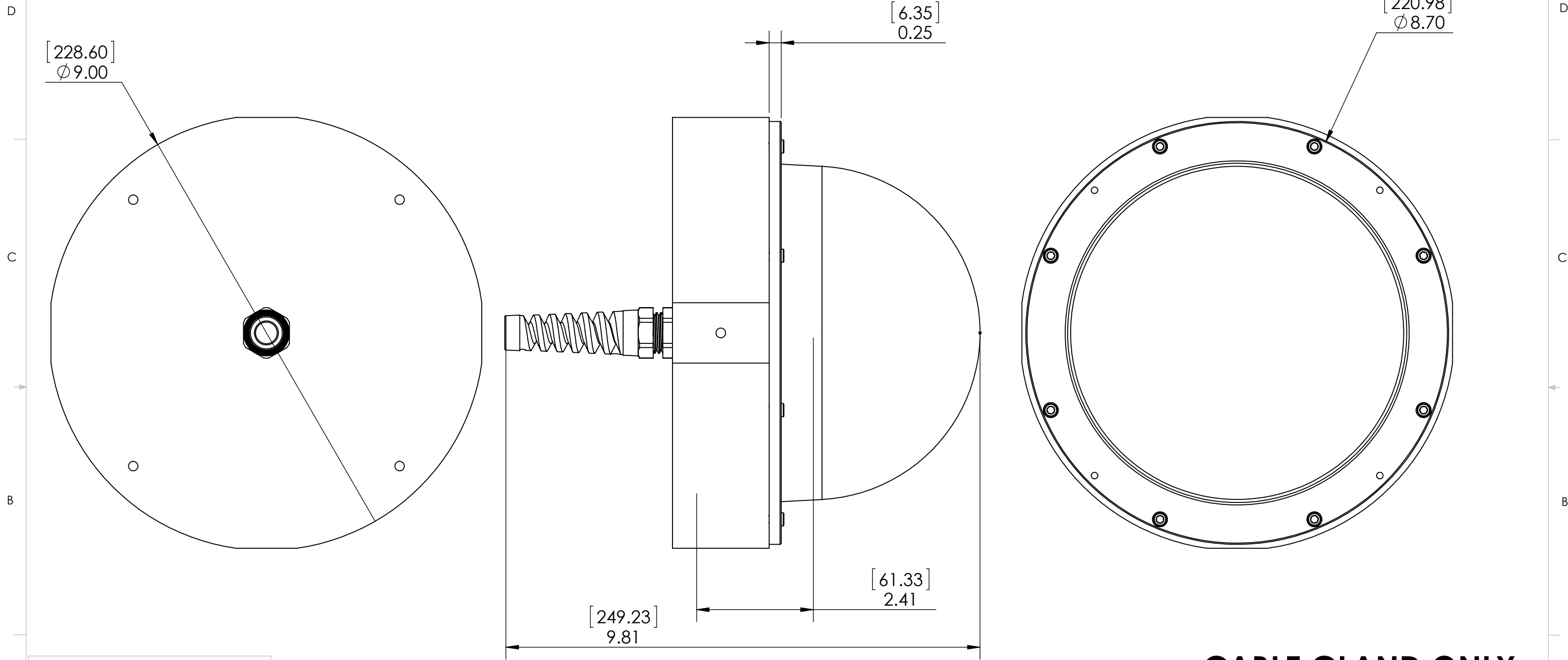


PROPRIETARY AND CONFIDENTIAL
 THE INFORMATION CONTAINED IN THIS DRAWING IS THE SOLE PROPERTY OF SUBAQUA IMAGING SYSTEMS INC. ANY REPRODUCTION IN PART OR AS A WHOLE WITHOUT THE WRITTEN PERMISSION OF SUBAQUAIMAGING SYSTEMS IS PROHIBITED.



CABLE GLAND ONLY

UNLESS OTHERWISE SPECIFIED:

*** ALL DIMENSIONS ARE **POST ANODIZE OR PLATING** ***
 DIMENSIONS ARE IN INCHES [MM]
 TOLERANCES:
 LINEAR: 0.XX ±.020
 DIAMETER: 0.XX ±.01
 LINEAR: 0.XXX ±.005
 DIAMETER: 0.XXX ±.002
 HOLES: ±.003
 FRACTIONAL ±1/64
 ANGULAR: ±.5°

SURFACE FINISH ALL \checkmark_{64}
 SURFACE FINISH SEALS \checkmark_{32}
 REMOVE ALL SHARP EDGES AND BURRS

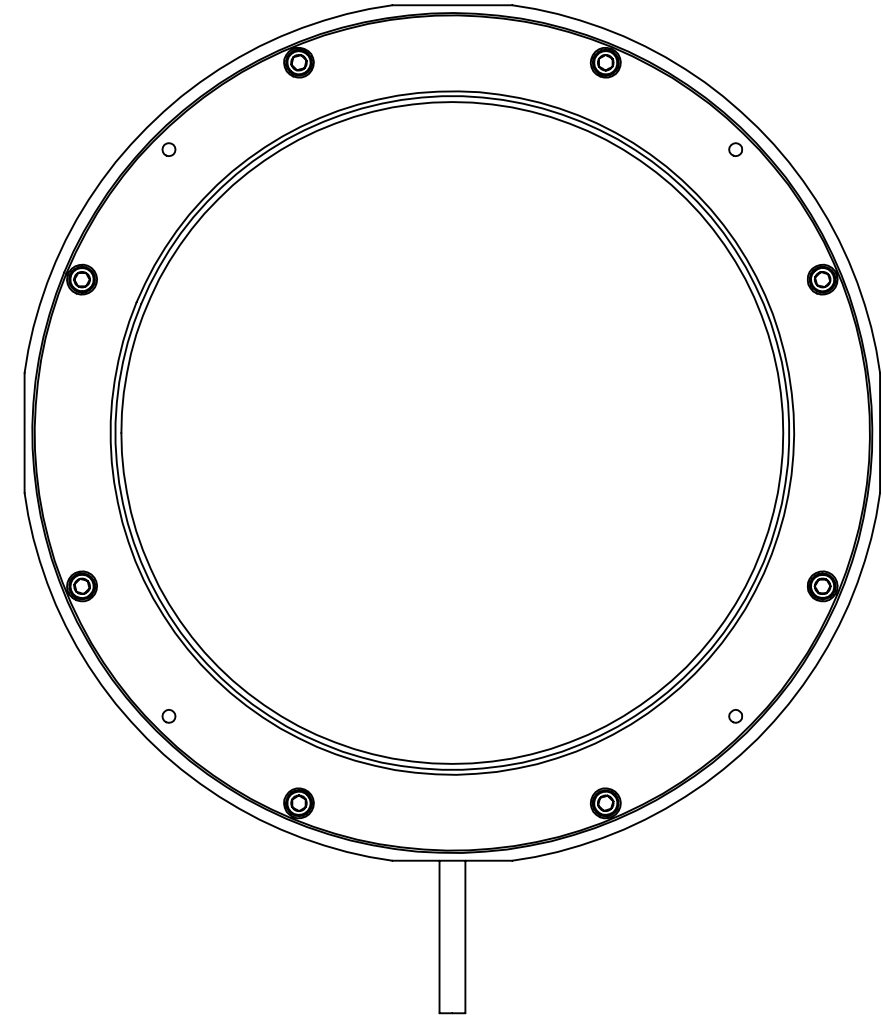
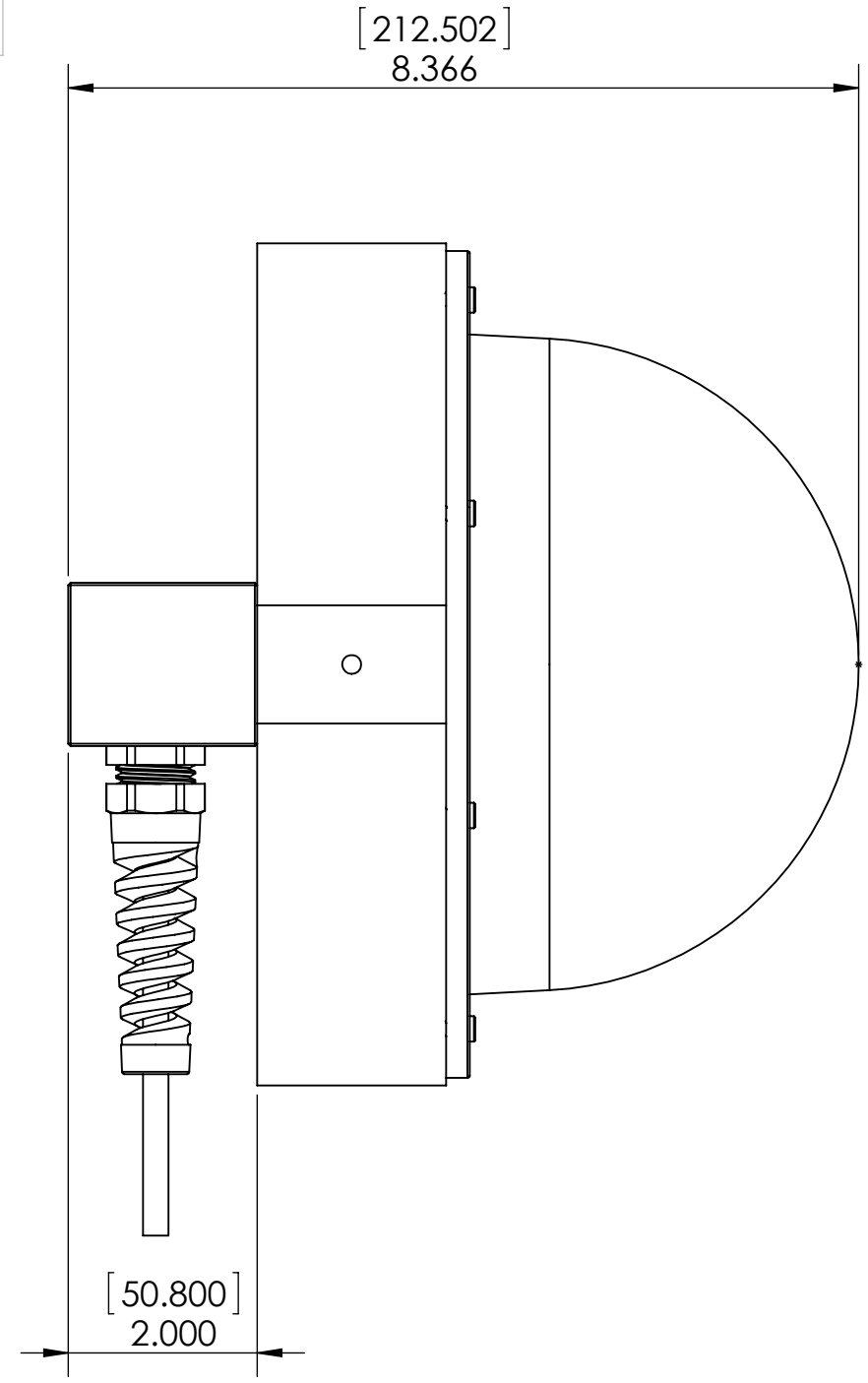
CAGE CODE: 6JFR2

USED ON	SIZE/LENGTH CONDITION	MATERIAL Material <not specified>
POST PROCESS	PLATING	ANODIZE Type III, Class 2 (BLACK)
NEXT ASSEMBLY	NOTES	COLOR
FILE NAME Z:\740_Cameras\015 Flying Saucer PT Cam\740-015-005_PT-S_Cam_FINAL_ASSY-X3		DO NOT SCALE DRAWING

SUBAQUA IMAGING SYSTEMS INC		SubAqua Imaging Systems, Inc 1134 Opal Street, San Diego, CA 92109, USA (858) 414 0383 www.subaquaimaging.com	
ORIG ENG	R. GRAY	DATE	
ORIG DWG	M. HOURIGAN		
LAST UPDATE	Ronan	4/6/2017	
REL TO PROD		TBD	
CHECKED BY			
TITLE: SAIS LIMPET CAM		SIZE	REV
DWG. NO. 940-015-005		B	DCD
SCALE: 1:2		WEIGHT:	SHEET 1 OF 4

8 7 6 5 4 3 2 1

PROPRIETARY AND CONFIDENTIAL
THE INFORMATION CONTAINED IN THIS DRAWING IS THE SOLE PROPERTY OF SUBAQUA IMAGING SYSTEMS INC. ANY REPRODUCTION IN PART OR AS A WHOLE WITHOUT THE WRITTEN PERMISSION OF SUBAQUAIMAGING SYSTEMS IS PROHIBITED.



D
C
B

D
C
B

RIGHT ANGLE BULKHEAD

SUBAQUA
IMAGING SYSTEMS INC

SubAqua Imaging Systems, Inc
1134 Opal Street, San Diego, CA
92109, USA
(858) 414 0383
www.subaquaimaging.com

ORIG DWG	M. HOURIGAN	SIZE B	DWG. NO. 940-015-005	REV DCD
CHECKED BY		SCALE: 1:2	CAGE CODE: 6JFR2	SHEET 2 OF 4

7 6 5 4 3 2 1

A

8 7 6 5 4 3 2 1

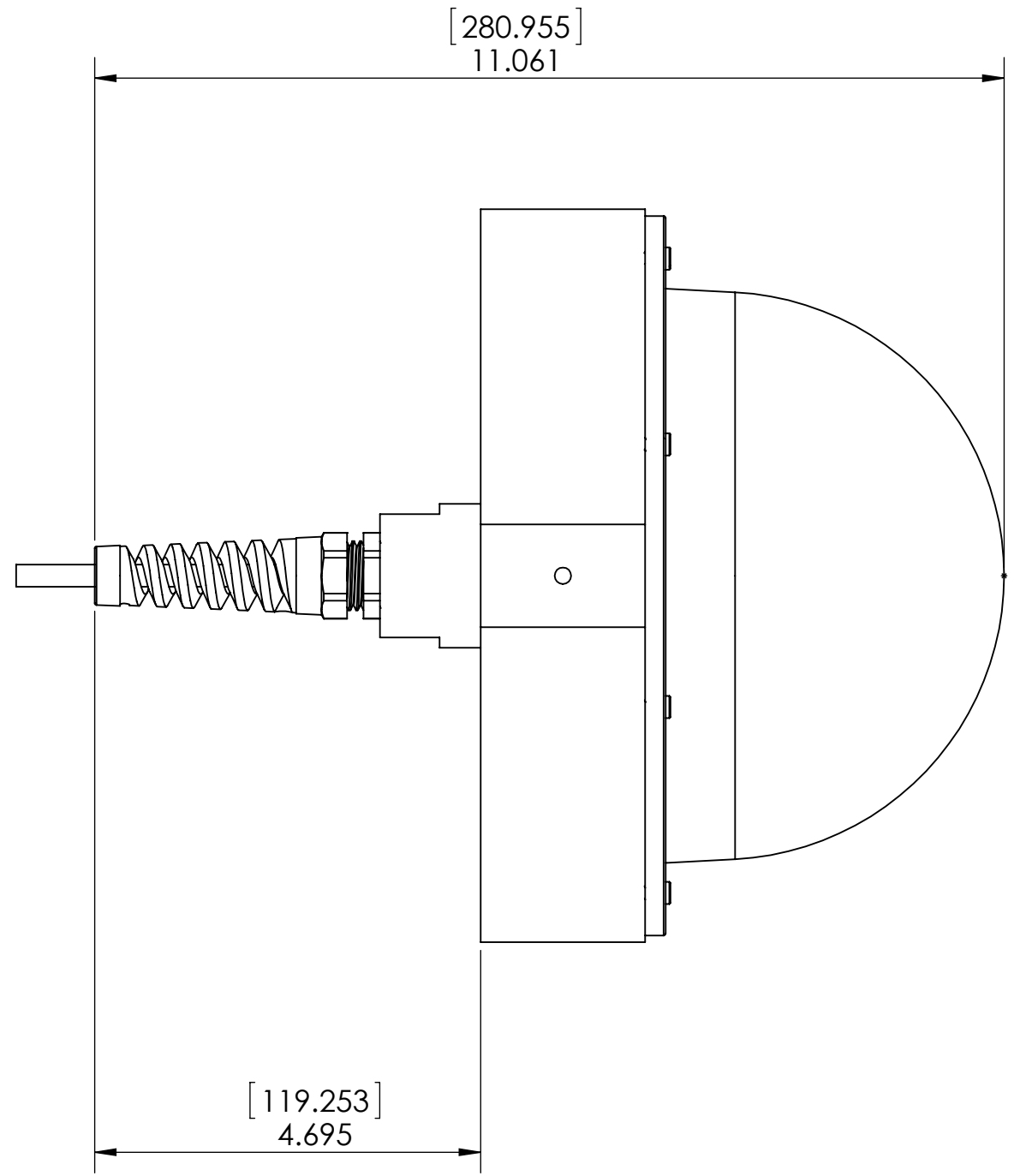
PROPRIETARY AND CONFIDENTIAL
THE INFORMATION CONTAINED IN THIS DRAWING IS THE SOLE PROPERTY OF SUBAQUA IMAGING SYSTEMS INC. ANY REPRODUCTION IN PART OR AS A WHOLE WITHOUT THE WRITTEN PERMISSION OF SUBAQUAIMAGING SYSTEMS IS PROHIBITED.

D

C

B

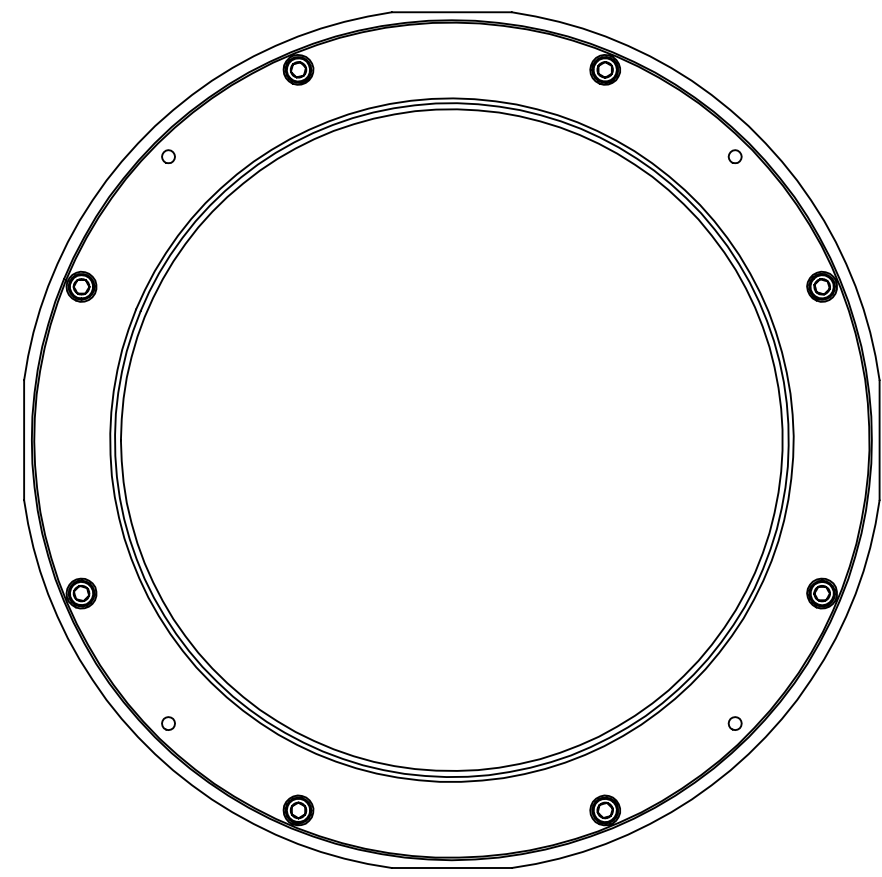
8



D

C

B



STRAIGHT BULKHEAD

SUBAQUA
IMAGING SYSTEMS INC

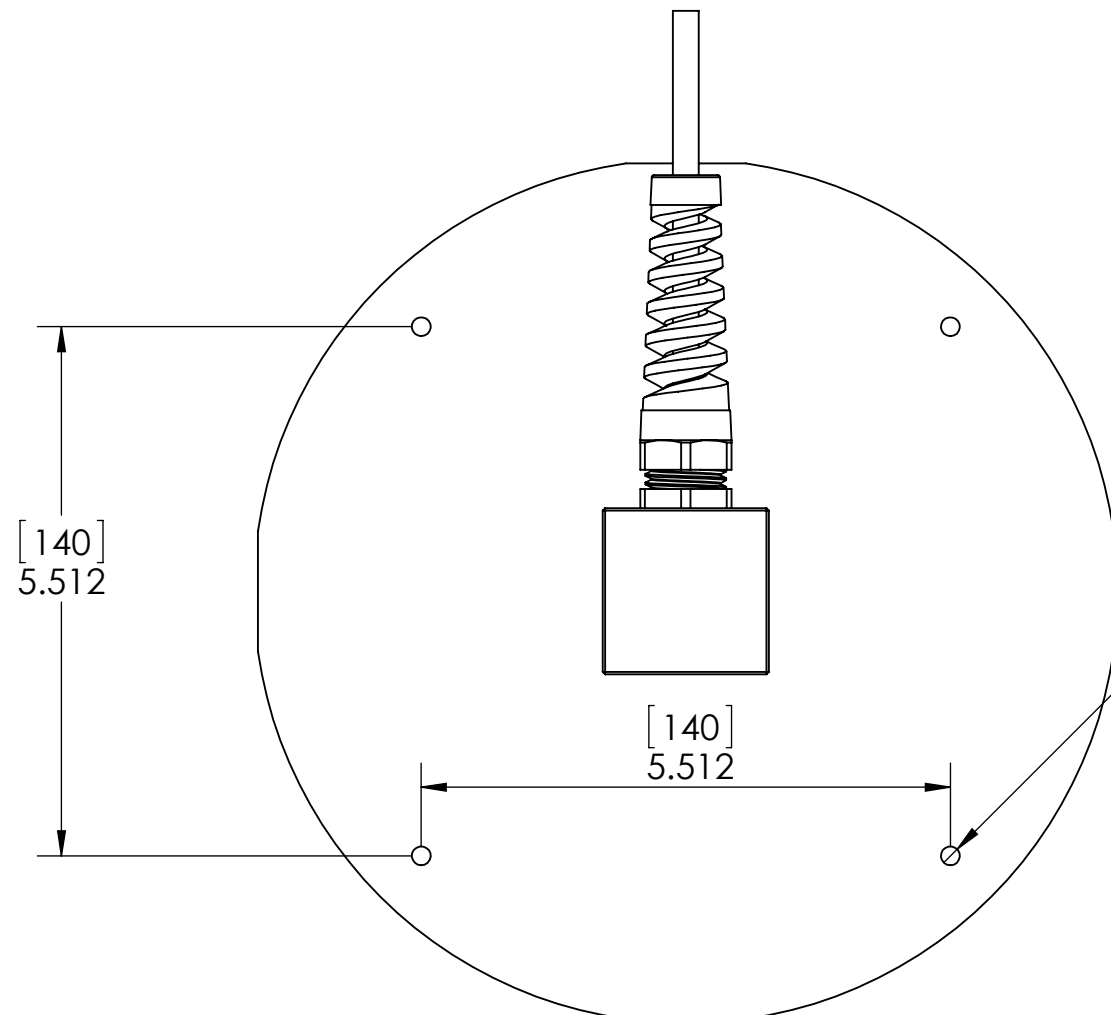
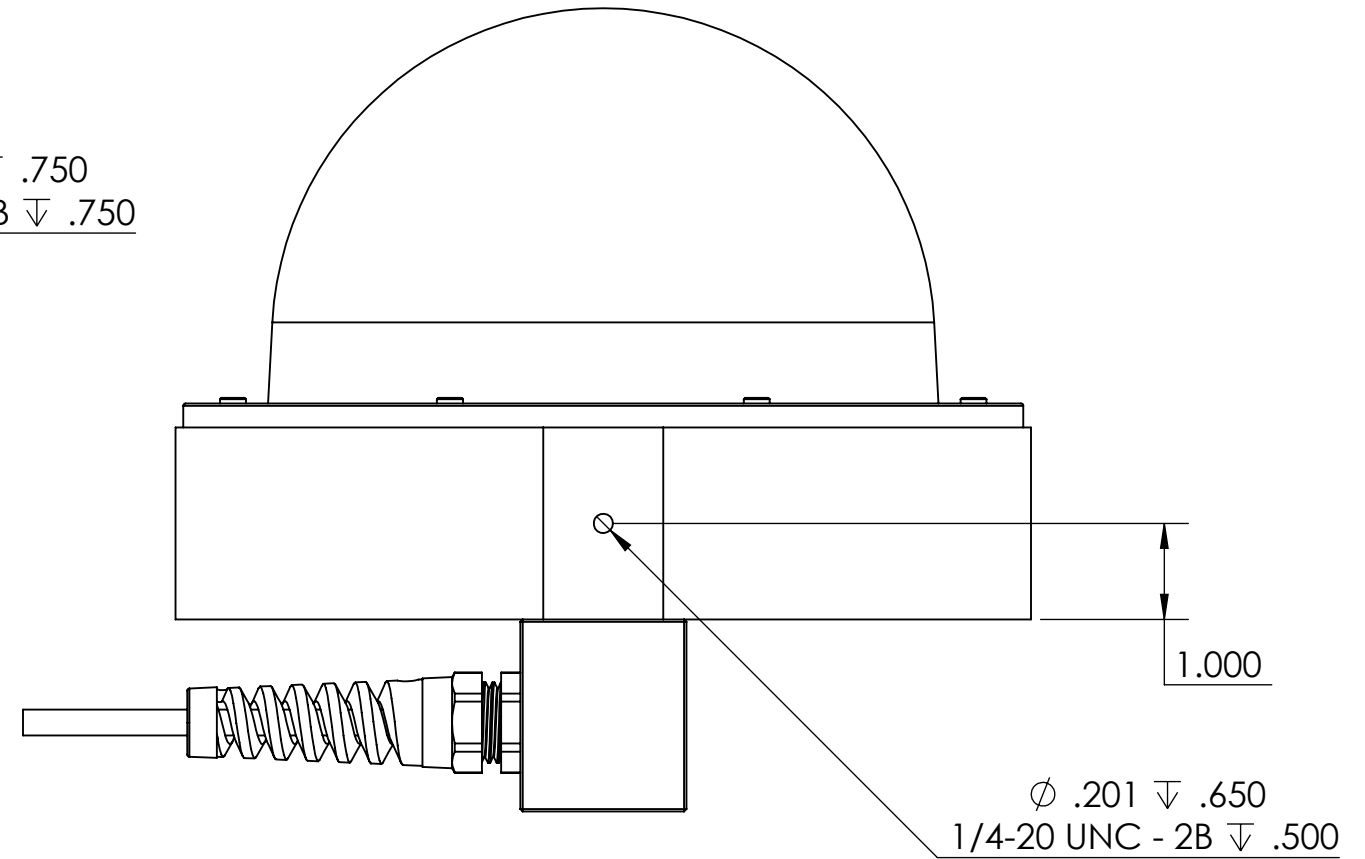
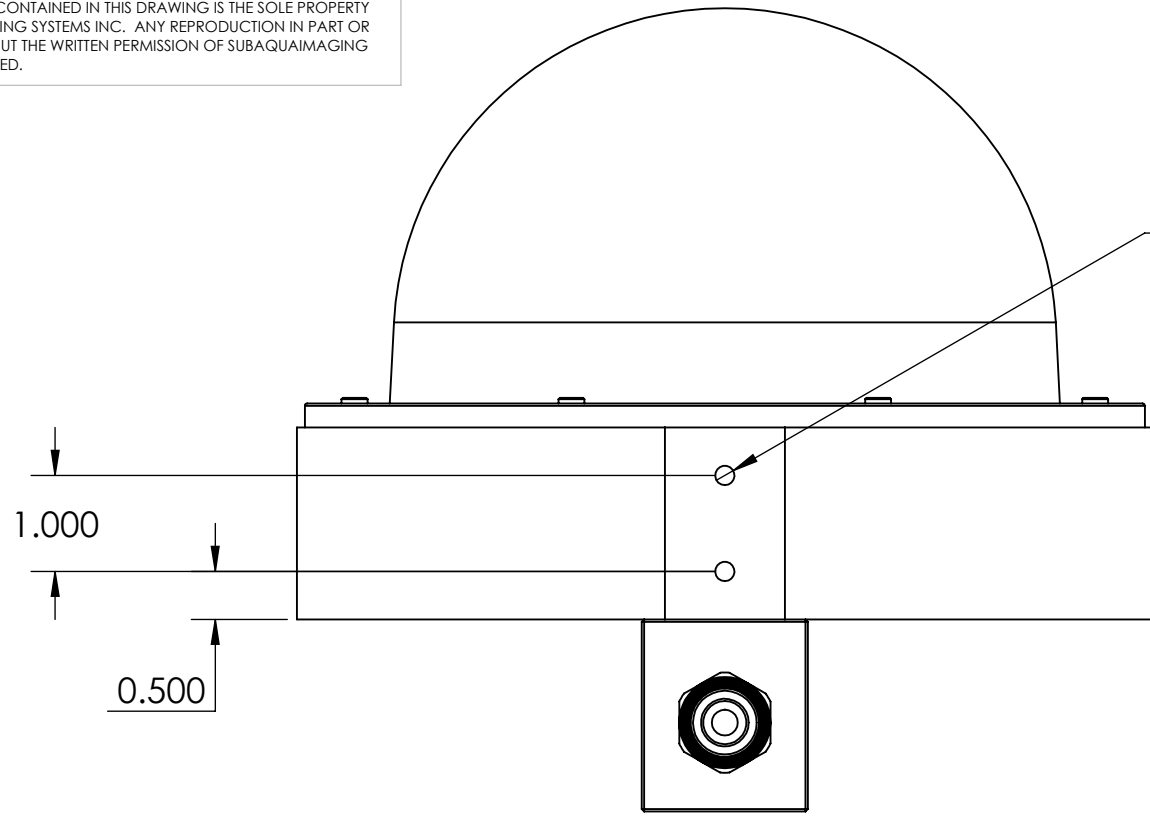
SubAqua Imaging Systems, Inc
1134 Opal Street, San Diego, CA
92109, USA
(858) 414 0383
www.subaquaimaging.com

A

ORIG DWG	M. HOURIGAN	SIZE B	DWG. NO. 940-015-005	REV DCD
CHECKED BY		SCALE: 1:2	CAGE CODE: 6JFR2	SHEET 3 OF 4

7 6 5 4 3 2 1

PROPRIETARY AND CONFIDENTIAL
 THE INFORMATION CONTAINED IN THIS DRAWING IS THE SOLE PROPERTY
 OF SUBAQUA IMAGING SYSTEMS INC. ANY REPRODUCTION IN PART OR
 AS A WHOLE WITHOUT THE WRITTEN PERMISSION OF SUBAQUAIMAGING
 SYSTEMS IS PROHIBITED.



SUBAQUA
 IMAGING SYSTEMS INC

SubAqua Imaging Systems, Inc
 1134 Opal Street, San Diego, CA
 92109, USA
 (858) 414 0383
 www.subaquaimaging.com

ORIG DWG	M. HOURIGAN	SIZE	DWG. NO.	REV
CHECKED BY		B	940-015-005	DCD
		SCALE: 1:2	CAGE CODE: 6JFR2	SHEET 4 OF 4